

HUKX

Sensor
Technology

Instruction sheet
Pyranometer Insulation Disc

PID01

Instruction for PID01

Hukx offers an optional pyranometer insulation disc. Its purpose is to insulate the pyranometer so the sensor is electrically connected to one ground point only at all times. This installation guide provides instructions how to mount the insulation disc included in this kit to an SR2x and SR3x pyranometer. Please consult the user manual of your pyranometer for more information on pyranometer installation. Using the disc is the user's own decision; it is not the preferred way to ground a sensor.

Warnings



Consult Hukx's instructions on grounding



Use of the disc is at the user's own risk



Connect the shield wire of the sensor cable to the ground terminal of the power supply



Ensure proper strain relief of the cable



Bolt tightening up to 7 Nm

Included

- insulation disc with pyranometer locking bolt
- 2 x M5x12 bolt
- 2 x M5 washer

Installation

Please follow these steps:

1. Drill hole pattern in plate.
2. Mount disc onto plate, use 4 mm hex key.
3. Mount pyranometer onto disc, use 4 mm hex key.
4. Level pyranometer.

example pyranometer

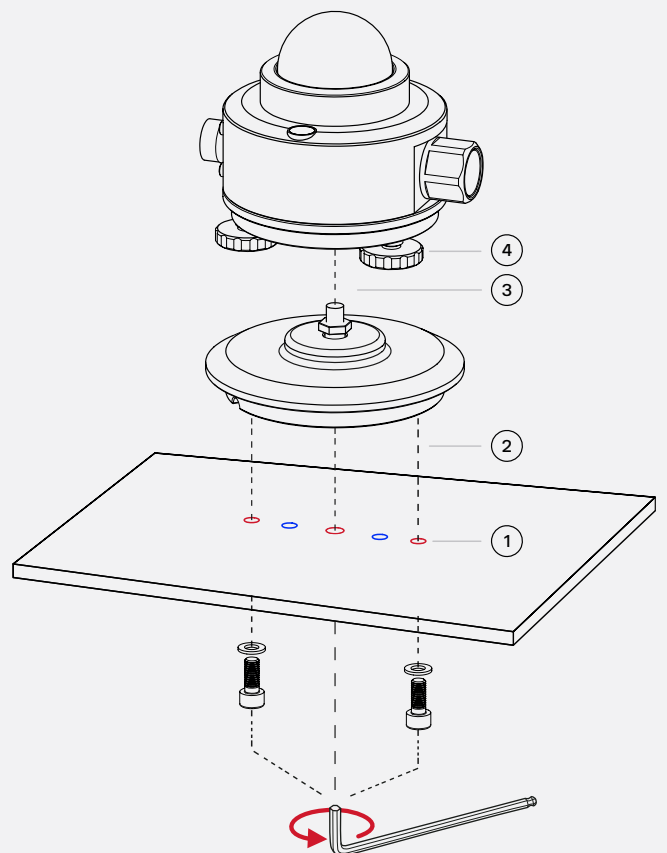
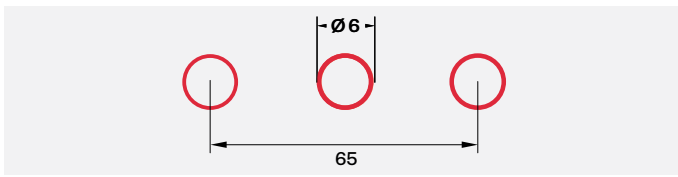


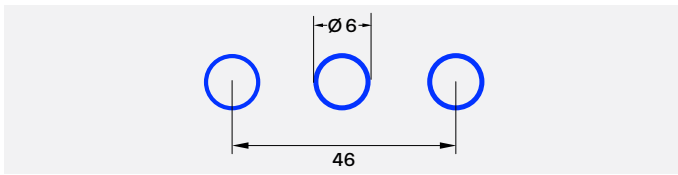
Plate specifications

- plate thickness up to 5 mm, when using bolts included
- hole dimensions in mm for SR2x



or

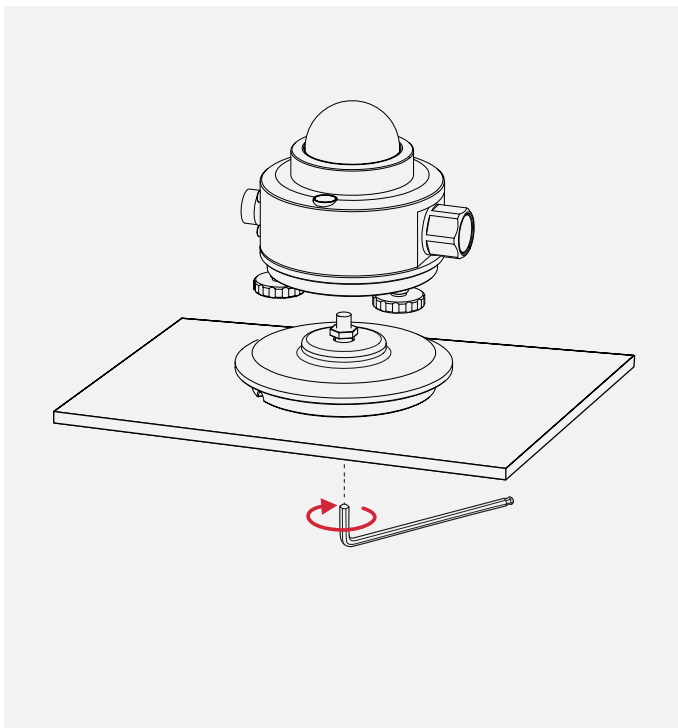
- hole dimensions in mm for SR3x



- centre hole for installing pyranometer to disc

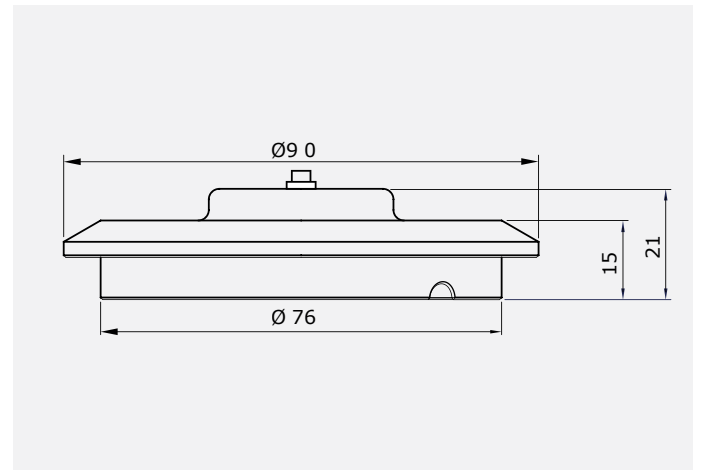
Unmount pyranometer

The preferred method to unmount the pyranometer (for example for servicing purposes) is to release the pyranometer by using a 4 mm hex key at centre bolt. See image below.

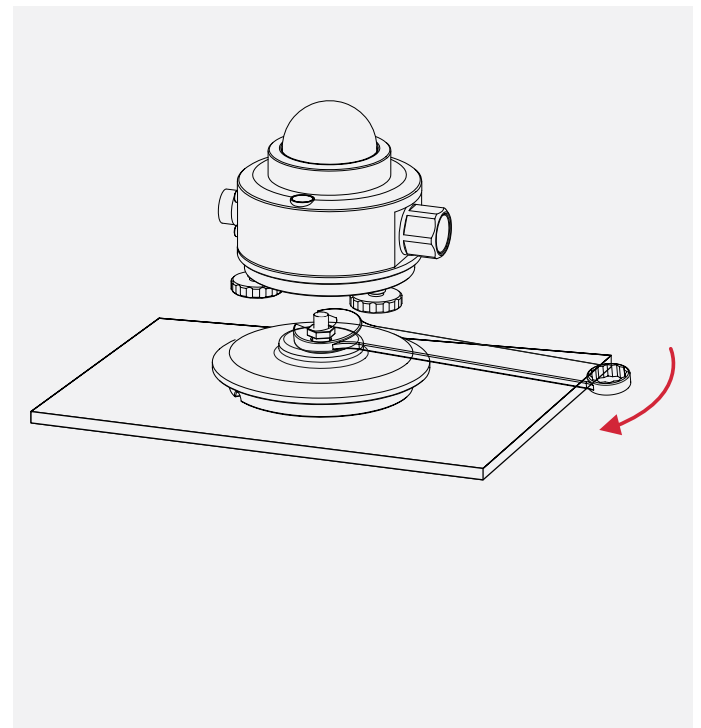


Disc specifications

The insulation disc is spring-loaded. Once the pyranometer is connected and locked to the disc, the pyranometer can be levelled by user. Levelling is done by fastening or loosening the two adjustable levelling feet of the pyranometer by hand, see point 4 in drawing.



An alternative method to release the pyranometer, when the centre hole cannot be reached, is by using a 10 mm spanner. See image below.



About Hukx

Hukx is the leading innovator in solar radiation and heat flux sensor technology. We are proud to set the standard in high-accuracy measurement, and to be working at the heart of the energy transition.

Customers worldwide rely on our bestselling pyranometers and heat flux sensors. From sensor design and selection to supply and recalibration, we support you across the entire lifecycle.

Hukx is headquartered in the Netherlands, with locally owned representative sales offices in the USA, Brazil, India, China, Southeast Asia, and Japan.

Let us help you select the best sensor for your application. Get in touch with our experts today via: info@hukx.com

© Hukx

Version 2603

We reserve the right to change specifications without prior notice.

www.hukx.com

HUKX