

HUKX

Sensor
Technology

Instruction sheet

Assembly guide for attachment
to SR20, SR22 and SR25 series pyranometers

Bubble level attachment kit

Instruction for SR20, SR22 and SR25 pyranometers

Bubble level attachment kit

Each Hukx SR20, SR22 and SR25 pyranometer has a built-in bubble level.

In some cases it may be helpful to use a bubble level positioned near its levelling feet. For this, Hukx offers a bubble level attachment kit.

This assembly guide provides instructions how to attach the bubble level (included in this kit) to an SR2x series pyranometer. Please consult the user manual for more information on your pyranometer.

Included

- (1 x) bubble level attachment
leveling accuracy: $< 0.1^\circ$ when bubble is entirely in the ring
- (1 x) M4 x 18 screw, hex
- (1 x) assembly guide

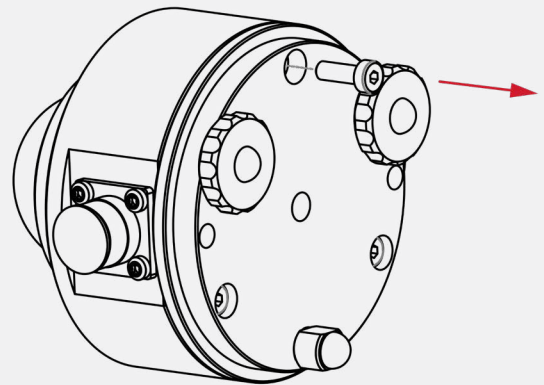
Warning

- mind the safety of the glass domes during assembly
- hex key (2.5 mm) not included

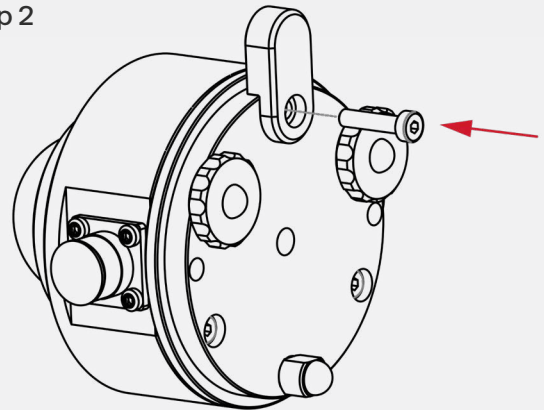
Assembly steps 1-3:

1. Take the pyranometer from its mounting platform, remove its sun screen and disconnect its cable. Mind the safety of the glass domes. Unscrew the M4 x 18 screw next to the fixed foot, using a 2.5 mm hex key.
2. Inspect the area in and around the mounting hole and ensure it is dry and free from dust and dirt. Clean it if needed. Place the Hukx bubble level attachment. Affix the attachment with the M4 x 18 screw. Use hex key 2.5 and 2.5 Nm torque. Preferably use a torque wrench.
3. Once the new bubble level is attached, reinstall the pyranometer at your measurement location. Ensure the cable is properly placed and connected. Use the new bubble level and the pyranometer's levelling feet for leveling. Finally, place the sunscreen.

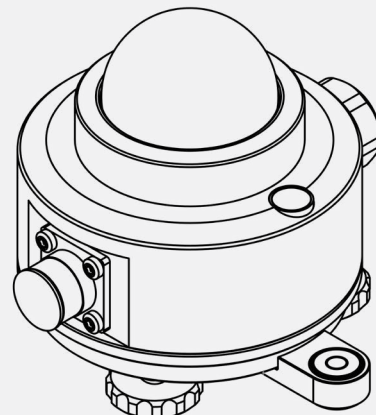
step 1



step 2



step 3



About Hukx

Hukx is the leading innovator in solar radiation and heat flux sensor technology. We are proud to set the standard in high-accuracy measurement, and to be working at the heart of the energy transition.

Customers worldwide rely on our bestselling pyranometers and heat flux sensors. From sensor design and selection to supply and recalibration, we support you across the entire lifecycle.

Hukx is headquartered in the Netherlands, with locally owned representative sales offices in the USA, Brazil, India, China, Southeast Asia, and Japan.

Let us help you select the best sensor for your application. Get in touch with our experts today via: info@hukx.com

© Hukx

Version 2606

We reserve the right to change specifications without prior notice.

www.hukx.com

HUKX