



**HUKX**

Sensor  
Technology

Instruction sheet  
Shadow ring for pyranometers

**SHR02**

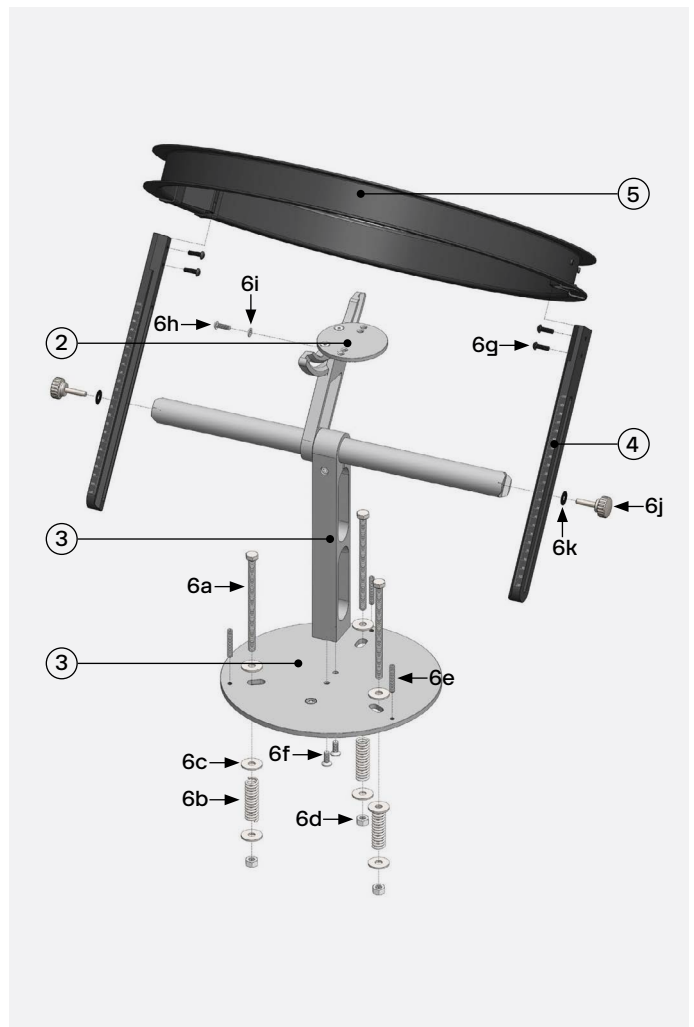
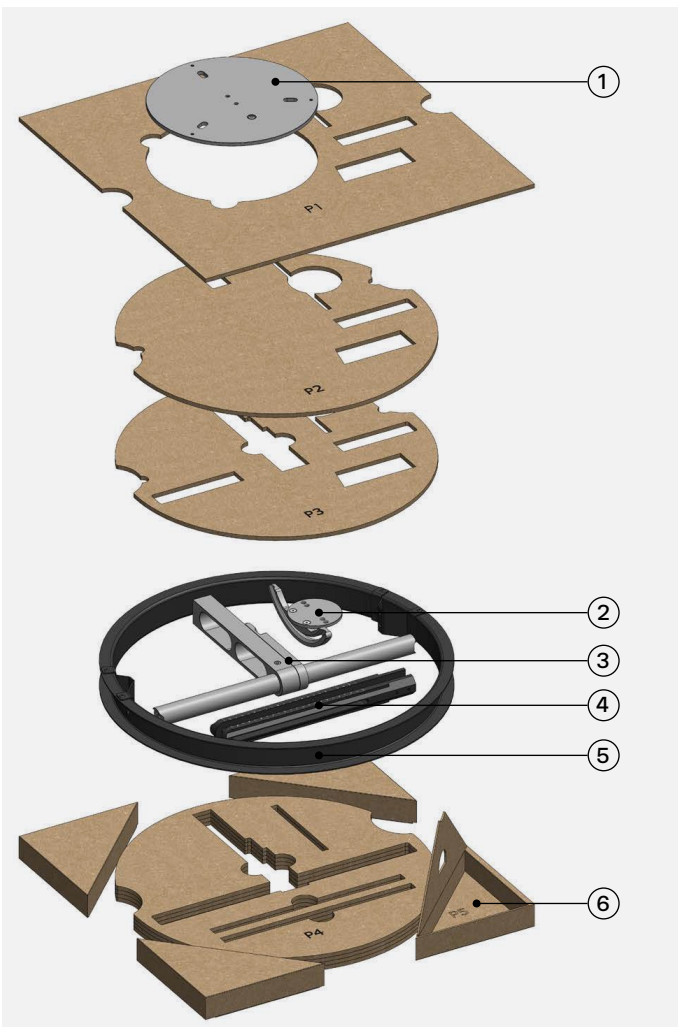
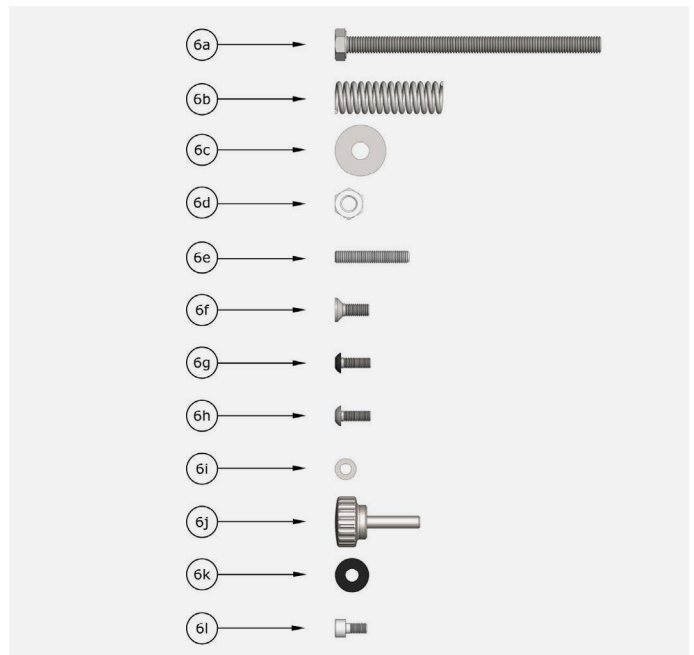
# What's in the box

## SHR02

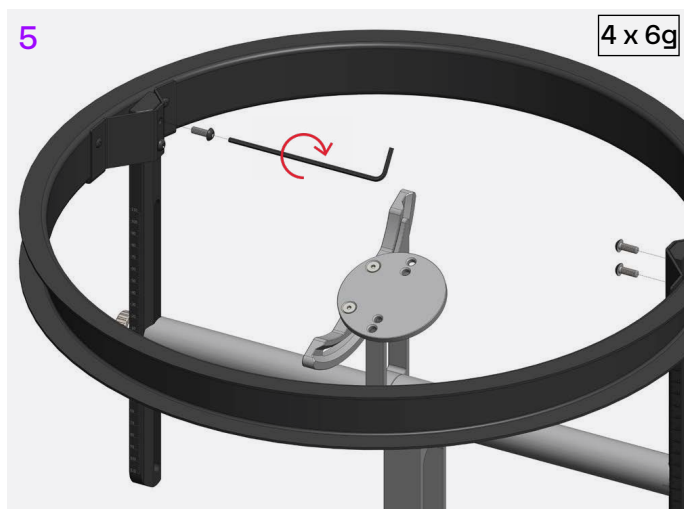
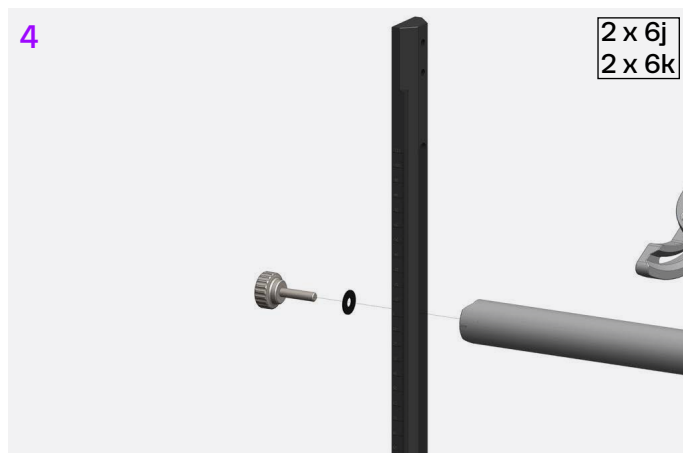
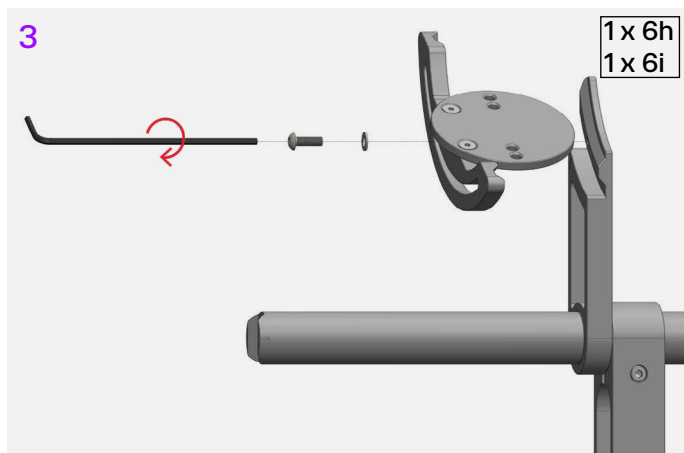
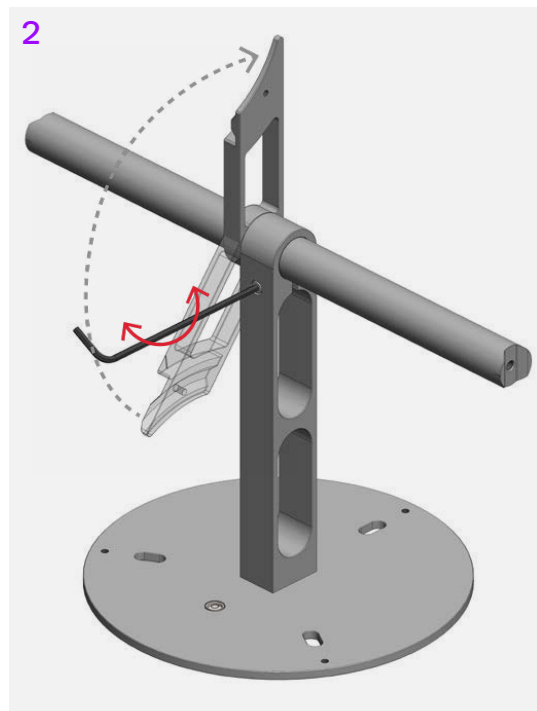
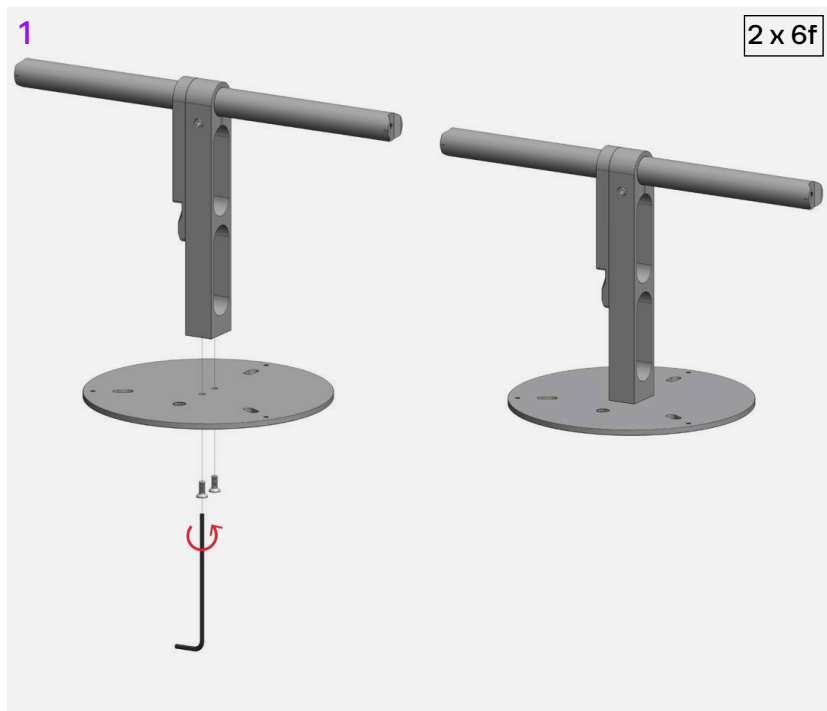


### Construction elements

1. Base plate
2. Tilt adjustment stage with pyranometer mounting plate
3. Central support, with horizontal bar connected to pyranometer support arm
4. 2 x sliding bar, with engraved scale in  $\times 10^{-3}$  m
5. Shadow ring



# Instructions for SHR02



## About Hukx

Hukx is the leading innovator in solar radiation and heat flux sensor technology. We are proud to set the standard in high-accuracy measurement, and to be working at the heart of the energy transition.

Customers worldwide rely on our bestselling pyranometers and heat flux sensors. From sensor design and selection to supply and recalibration, we support you across the entire lifecycle.

Hukx is headquartered in the Netherlands, with locally owned representative sales offices in the USA, Brazil, India, China, Southeast Asia, and Japan.

Let us help you select the best sensor for your application. Get in touch with our experts today via: [info@hukx.com](mailto:info@hukx.com)

© Hukx

Version 2503

We reserve the right to change specifications without prior notice.

[www.hukx.com](http://www.hukx.com)

**HUKX**