

HUKX

Sensor
Technology

Brochure
Pyranometer
Insulation Disk

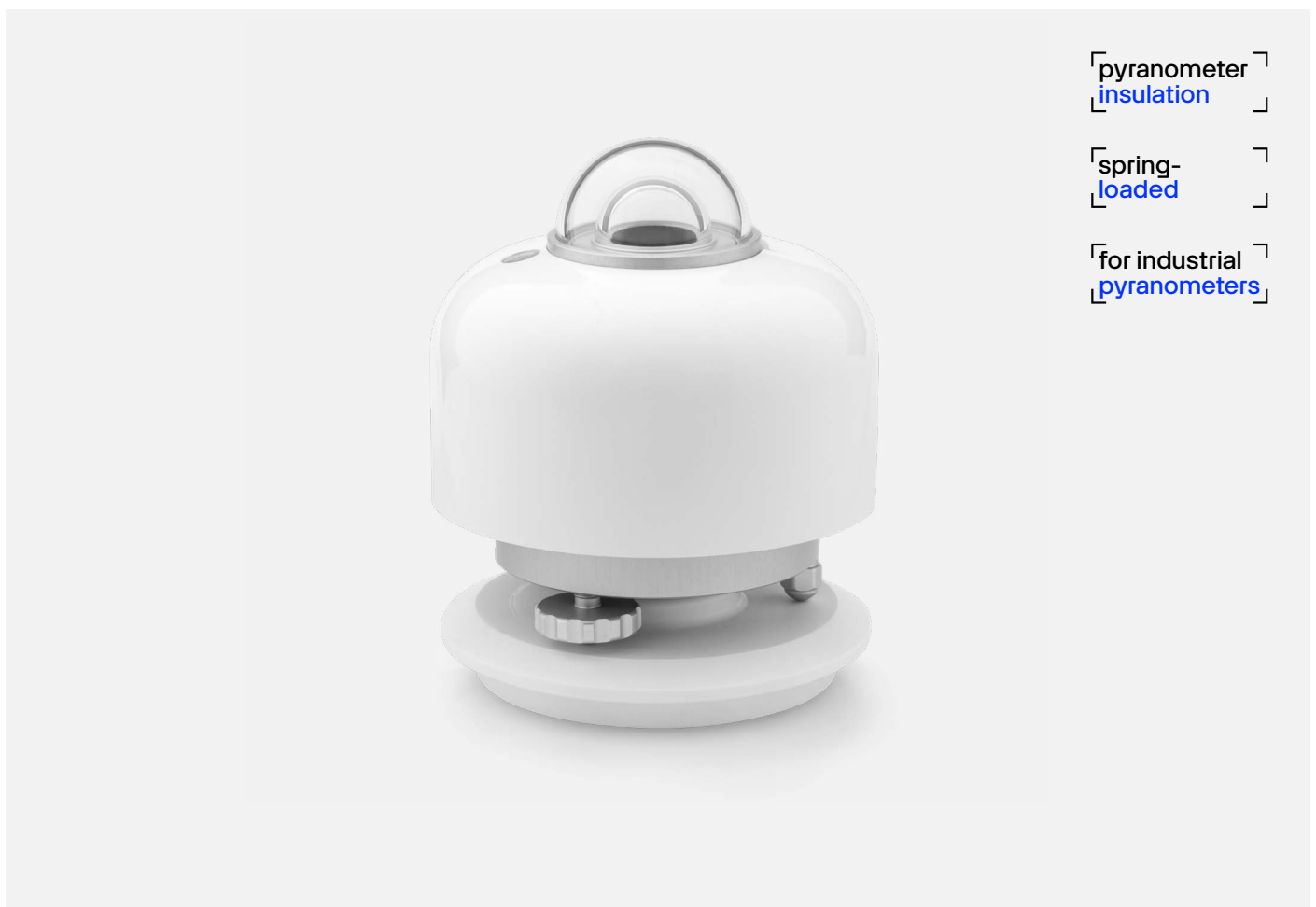
PID01

PID01 Pyranometer Insulation Disk

PID01 electrically isolates pyranometers from their metal mounting platform. Isolation may be useful when the mounting platform does not permit connection of the pyranometer earth ground terminal to the same ground point as the SPD01 or the SCADA system. PID01 also includes spring-loaded fixation for easy pyranometer leveling.

Hukx offers an optional pyranometer insulation disc, PID01. Its purpose is to insulate the pyranometer from the—typically metal—mounting platform. This allows users of Hukx industrial pyranometers to use the earthing terminal on the industrial pyranometer to electrically connect the instrument to another ground point.

Figure 1 Pyranometer SR200 mounted on a PID01 Pyranometer Insulation Disk.



Using the PID01 disc is the user's own decision, and part of the design of the larger earthing and grounding network, leading to a safe workplace, reliable instrument operation and immunity to surges.

PID01 is compatible with industrial pyranometer models SR300, SR200, SR100 and also with earlier pyranometer models SR30, SR20 and SR15.

The insulation disc is spring-loaded. Once the pyranometer is connected and locked to the disc, the pyranometer can easily be levelled. Levelling is done by turning the two adjustable levelling feet of the pyranometer by hand, using the pyranometer bubble level as a reference.

For more details on the installation: consult the PID01 installation guide as well as the user manual of your pyranometer.

Included

- insulation disk with spring-loaded pyranometer locking bolt (M6 bolt, 10 mm nut on top, 4 mm hex head)
- 2 x M5x12 bolt with 4 mm hex head. Rated mounting plate thickness up to 5 mm, when using included bolts
- 2 x M5 washer



Figure 2 PID01 Pyranometer Insulation Disk.

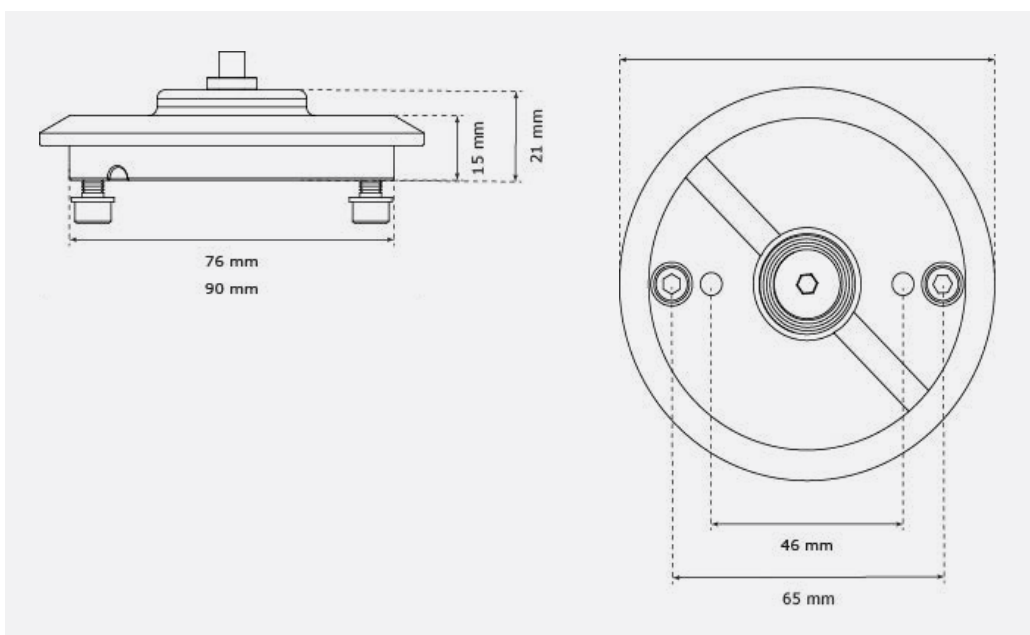


Figure 3 PID01 dimensions. The PID01 is mounted using the 2 x M5 bolts at 65 mm or 46 mm hart-to-hart distance. A 4 mm hex key may be used both for the bolts and the spring-loaded levelling. Typically, 3 x 6 mm diameter holes are drilled in the mounting plate, 2 for the bolts and 1 in the centre to reach the spring-loaded pyranometer locking bolt.

PID01 specifications

instrument compatibility	industrial pyranometers SR300, SR200, SR100 (with earthing terminal on instrument) earlier pyranometer models SR30, SR20, SR15 (no earthing terminal on instrument)
--------------------------	---

Mechanical

housing material	Arnite (White PETP)
rated mounting plate thickness	5 mm max, when using included bolts
weight	100 grams
tools required	4 mm, hex key When the center hole at the PID bottom cannot be reached: use a 10 mm spanner.

About Hukx

Hukx is the leading innovator in solar radiation and heat flux sensor technology. We are proud to set the standard in high-accuracy measurement, and to be working at the heart of the energy transition.

Customers worldwide rely on our bestselling pyranometers and heat flux sensors. From sensor design and selection to supply and recalibration, we support you across the entire lifecycle.

Hukx is headquartered in the Netherlands, with locally owned representative sales offices in the USA, Brazil, India, China, Southeast Asia, and Japan.

Let us help you select the best sensor for your application. Get in touch with our experts today via: info@hukx.com

© Hukx

Version 2525

We reserve the right to change specifications without prior notice.

www.hukx.com

HUKX